

Fixing aids

Correct fixing is essential if FSB lever handle furniture is to function flawlessly.

It is FSB policy to enclose paper positioning templates with all orders. Should these have been omitted, we would ask you to inform us immediately and we will rectify the matter. Product codes are given in the footers of the pages that follow.

FSB supplies trade installers with metal templates, the product codes for which are quoted towards the top of the right-hand column in the pages that follow.

A fair amount of force is involved in the operation of lever handle furniture. This holds particularly true for fittings on heavily used doors. Long-term trouble-free use can only be guaranteed if sufficient care is taken when marking out and boring holes and fixing the furniture.

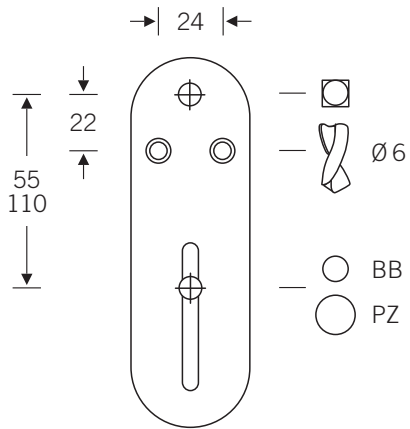
FSB has looked very carefully into the complaints received over recent years. In the process, it has discovered that the source of the problem is very frequently faulty fixing. Here are a few typical examples:

- Lugs on backplates and roses simply pinched off. Non-slip attachment impossible as a result.
- Fittings ordered for wrong door thickness. Connecting spindle was either too long - lever handle began to move - or too short - spindle mounted too close to its end, leading to breakage.
- The grub screw punch was not tightened with sufficient care and hence the clamping plate was not pierced. The lever handle was slack on its spindle, which meant it could be wrenched loose if tugged with any force.
- Holes bored without using template. Centres marked out in haphazard manner, producing oversize holes and hence poorly anchored backplates and roses moved on the door.
- FSB furniture has been combined with spindles, screws, backplates and roses of competitors.

FSB is at pains to stress that it can only accept liability for its products - just as all competitors - if they have been correctly fixed.

We would additionally wish to draw attention to growing public sensitivity regarding the issue of liability. Improperly fitted door and window furniture can have dire consequences in this respect. FSB puts its faith in the practical experience and skill of its own clientele and of their customers. Our mutual end customers have a right to expect properly fitted hardware that works.

Fixing template for FSB short backplates with visible fixing

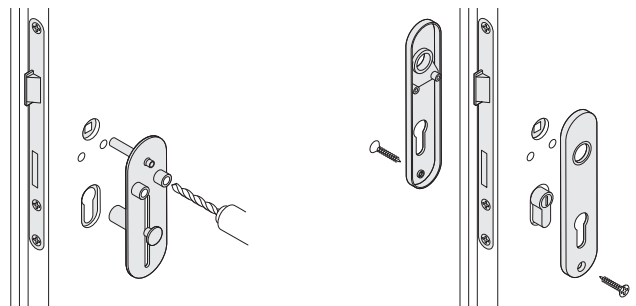


0453

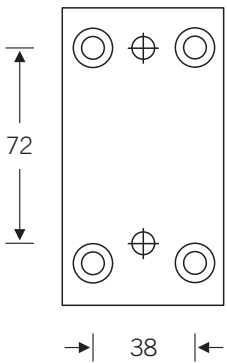
Fixing template for FSB
standard short backplate,
locating lugs and visible fixing

.... 0000: BB/PZ/Bathroom
55 – 110 mm

.... 0016: BB/PZ
70 mm, 7 mm □
Bathroom
70 mm, 6/7 mm □

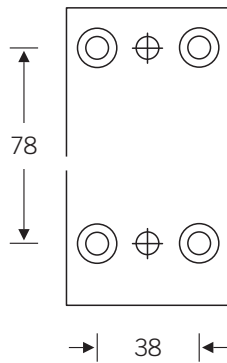


Fixing template for FSB roses



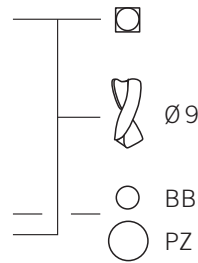
Item no. 0455 0000

BB and PZ 72 mm



Item no. 0455 5608

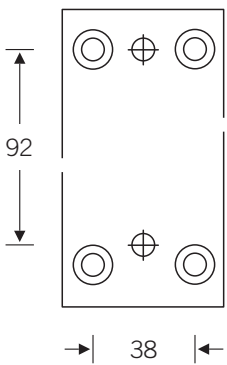
Bathroom 78 mm



0455

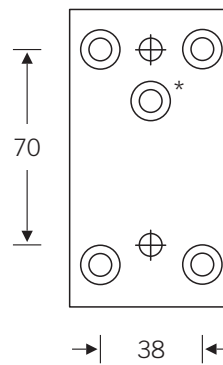
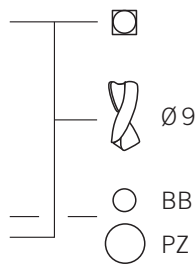
Fixing template for FSB roses
designed for concealed fixing:

- FSB roses and escutcheons
- FSB security roses



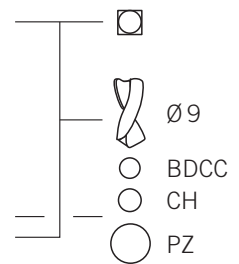
Item no. 0455 0012

BB and PZ 92 mm



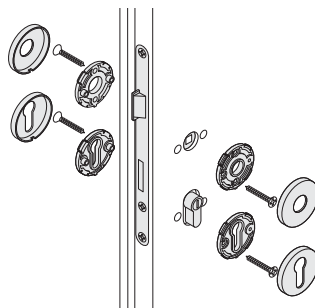
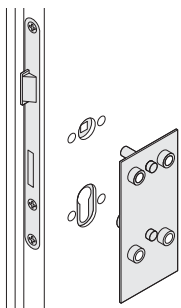
Item no. 0455 0016

BB and PZ 70 mm (7 □ mm),
Bathroom 70 mm (6/7 □ mm),
through fixing

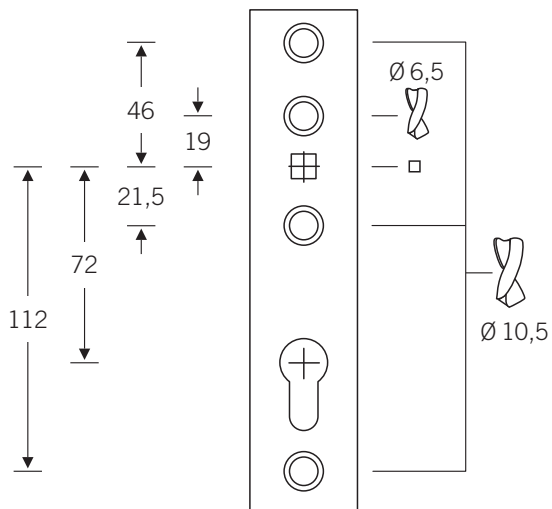


Item no. 0455 1016

* With additional bushing for
special borehole acc. to
access control system "EZK"



Fixing aids for panic furniture

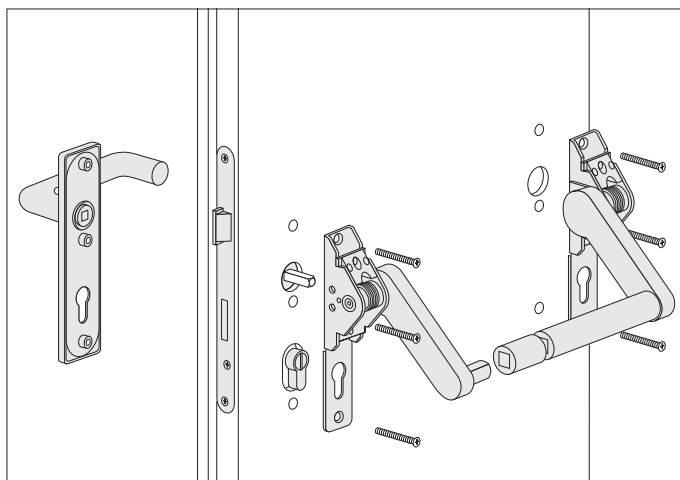
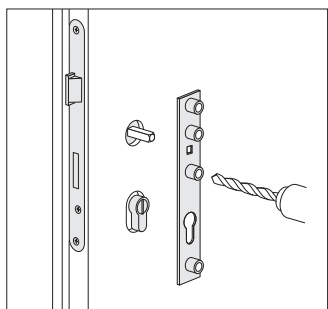


0457

Fixing template for
FSB emergency exit furniture,
concealed fixing, acc.

to EN 1125
7970 0110
7970 0200

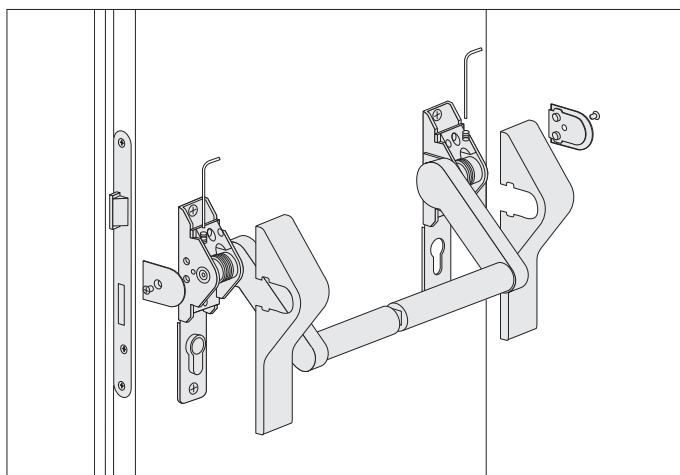
7980 ..10
7980 ..00



Insert FSB special-purpose spindle 0125 into lock and fit cylinder. Position borehole template over spindle and cylinder and drill through bushings.

The crossbar length is arrived at by taking the width of the door and deducting the back-set twice and a further 67 mm. Once bars have been cut to size, fit plastic end pieces for the stainless steel version.

Assembling panic furniture and integrating it with fittings on the other side is very straightforward. Full instructions are enclosed with each set.



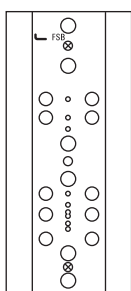
Check the action of the furniture once the stop setting has been determined and covers have been fitted.

Universal Template

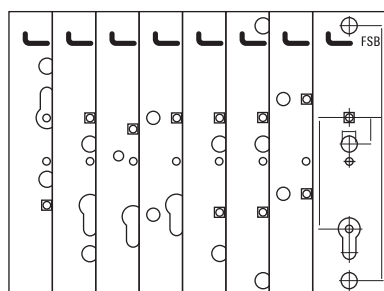
0460

All FSB fittings have their own fixing templates for use as needed, but FSB has additionally developed a universal template that encompasses virtually every borehole configuration available. This all-purpose kit is a must for all professional fabricators.

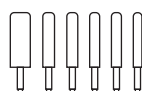
Universal template according to German DIN standard. For DIN mortice locks please refer to page 531ff.



1



2



3



4



5

Constituent parts:

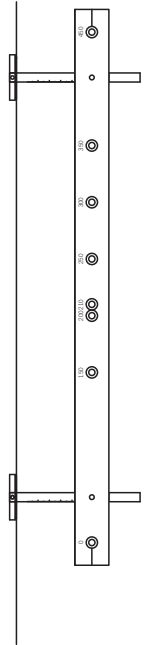
- 1 Metal template
- 2 Borehole layout sheets
- 3 Pilot pins
- 4 Knurled screw
- 5 Drill bits

Instructions for use:

1. Select borehole layout required using paper sheets provided.
2. Push borehole layout sheet from above into the guide of metal template.
3. Firmly secure layout sheet with knurled screw.
4. Select pilot pins to suit lock-follower (7 mm, 8 mm, 9 mm, 10 mm) and keyway type (lever lock, PZ, dead-bolt follower) and screw them into the metal template from the back until they become visible in the bore-hole layout.
5. Attach the prepared universal template to each side of the door in turn and drill through the available layout holes.
6. Remove template and fit FSB furniture as shown in fixing instructions.

9d

Metal fixing template



0461

The latest addition to the FSB range of drilling aids is a door-pull borehole template that allows boreholes for pull handles to be produced with great precision.

The FSB door-pull borehole template accommodates a variety of axial dimensions as well as custom backsets. It features hardened drilling bushings and graduated side stops and is made of high-quality aluminium. The felt padding prevents door surfaces being damaged.

Fixing centres
 150 mm, 200 mm, 210 mm,
 250 mm, 300 mm, 350 mm
 and 450 mm.

Routing jig for FSB flush roses



0462

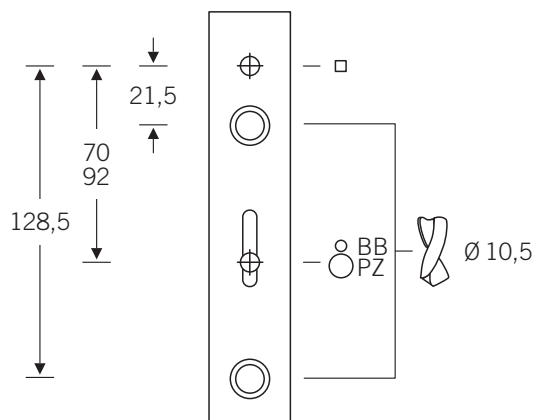
Routing jig 0462 is used as follows: push the centring device into the boreholes on the timber routing jig and place the assembly against the door. Slot the guide pins on the centring device into the follower and the cylinder or other key hole and align the routing jig parallel with the door leaf. Then secure the routing jig to the door with C-clamps at the position thus arrived at. Now remove the centring device and rout out

- to a depth of 7 mm in the case of flush furniture for door thicknesses of 45 mm upwards (FSB 7201/7601)
- and to a depth of 3 mm in the case of flush roses for door thicknesses between 38-44 mm (FSB 1736/1737)

Use a top router with a cutter 20 mm in diameter and a ring 30 mm in diameter for this. Then repeat the process on the other side.

For additional information please refer to www.fsb.de/flush

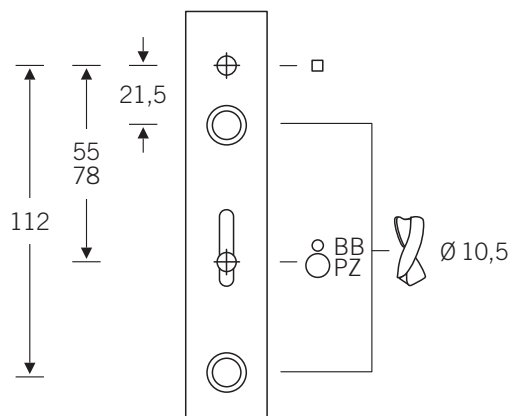
Fixing templates for FSB short backplates with concealed fixing



0469

Fixing template for
FSB backplates
1452 03 and 1453 03
with concealed fixing

BB/PZ/Bathroom
70 – 92 mm, 8 mm □

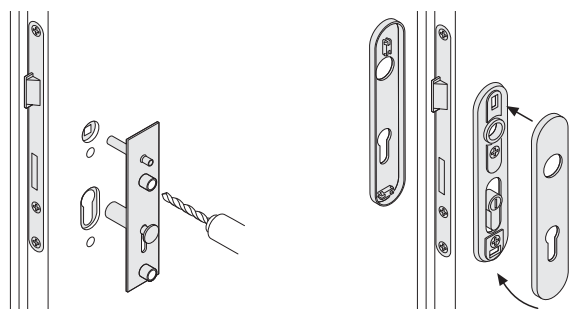


0477

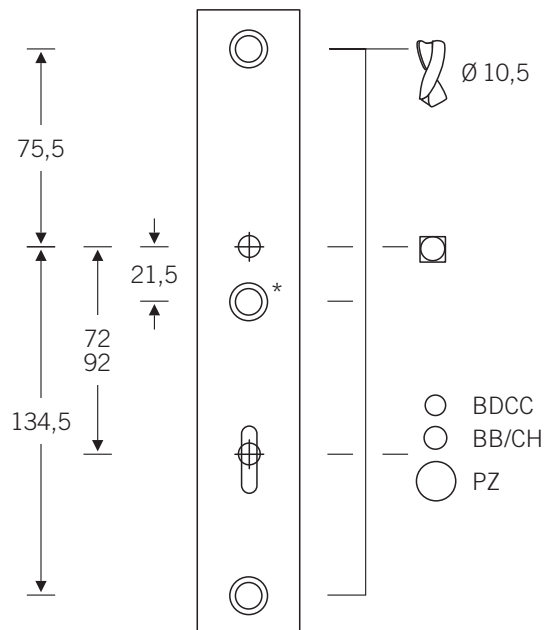
Fixing template for
FSB backplates
1450 03 and 1451 03
with concealed fixing

.... 0000: BB/PZ/Bathroom
55 – 78 mm,
8 mm □

.... 0016: BB/PZ
70 mm 7 mm □
Bathroom 70 mm,
6/7 mm □



Fixing templates for FSB long or square backplates with concealed fixing



0476

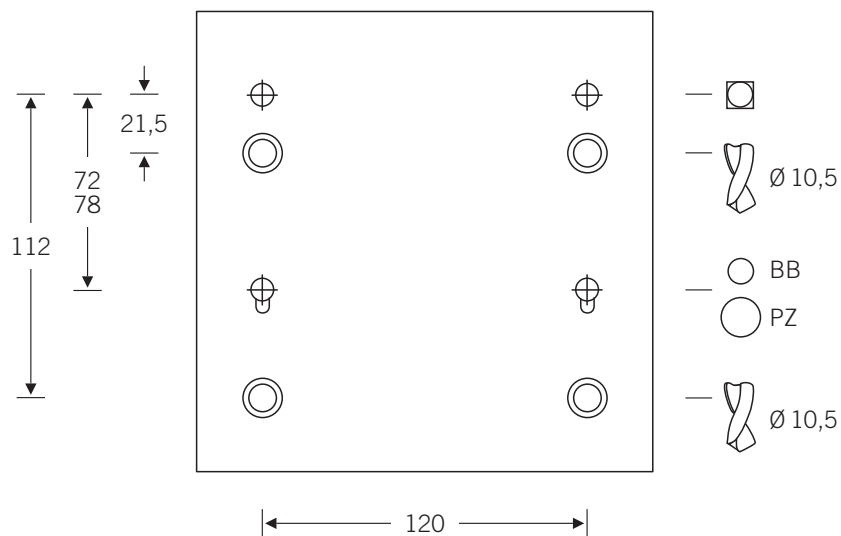
Fixing template for

- FSB long backplates with concealed fixing
- FSB security furniture for framed-door-locks "Securitas" FSB 7330 and 7531 FSB 7530 and 7531
- FSB long backplate sets for framed doors FSB 7816 and 7820

.... 0000: BB/PZ/Bathroom
72 – 92 mm,
8/9/10 mm □

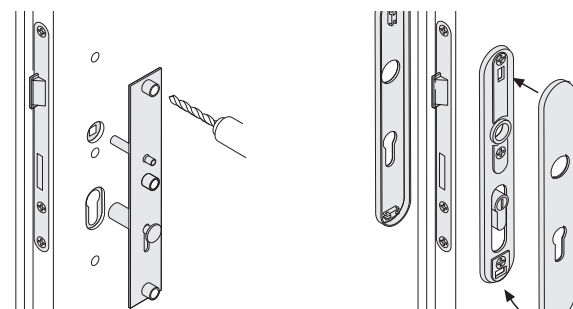
.... 0016: BB/PZ 70 mm,
7 mm □
Bathroom 70 mm,
6/7 mm □

* Borehole not required for fittings with spacing 70 mm acc. to French standard.

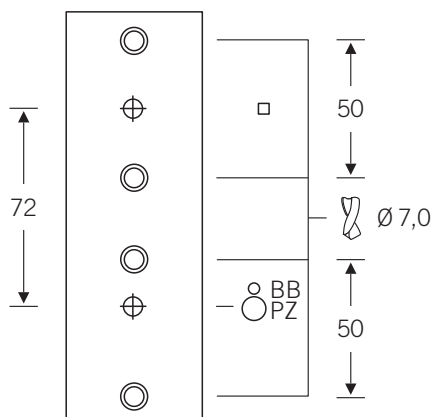


0478

Fixing template for FSB square backplates with concealed fixing, item nos. 1483 03 and 1488 03 (8 mm □)



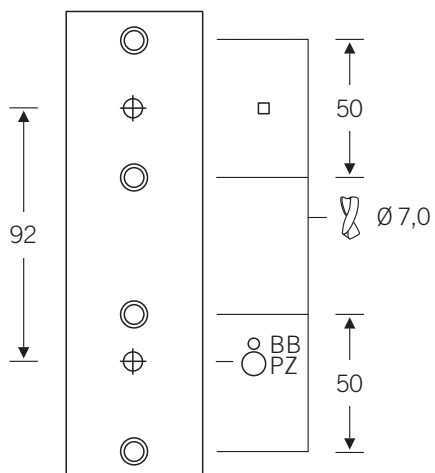
Fixing template for FSB oval roses with rivet nuts



0481

Fixing template for FSB oval roses with rivet nuts for using FSB fixing accessories 0526

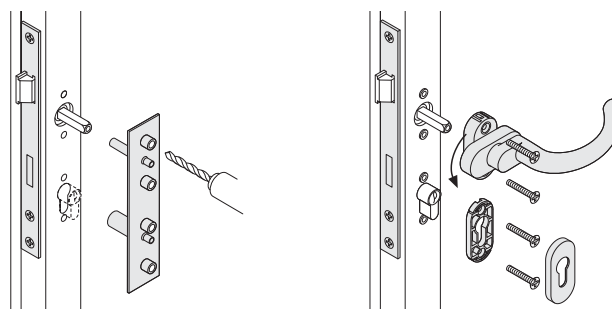
PZ 72 mm, 8 mm □



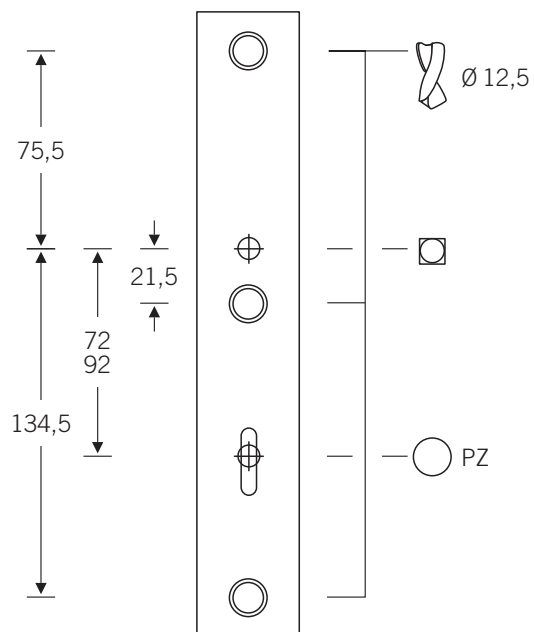
0482

Fixing template for FSB oval roses with rivet nuts for using FSB fixing accessories 0526

PZ 92 mm, 8/9 mm □



Fixing template for Design + Security

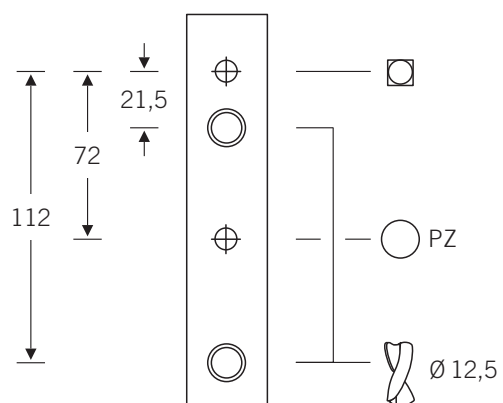


0487

Fixing template for
FSB security furniture
long backplate version

... 0000: BB and PZ
72 – 92 mm,
8/10 mm □

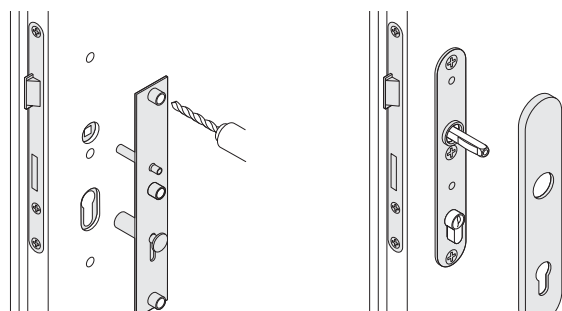
... 0016: PZ 70 mm,
7 mm □




0488

Fixing template for
FSB security furniture
short backplate version

BB and PZ 72 mm, 8 mm □



New tones at FSB.



Those familiar with the FSB brand will not have failed to notice when reading our little treatise that Le Corbusier's colour grammar and conception of architecture are very much after our own heart. The evolution of our door fittings draws on an aspiration that was also central to the definition of the "Polychromie architecturale", namely our urge to lend our products a form that takes adequate account of architecture, space and humanity. Good design obtains when harmoniously balanced formal and aesthetic qualities are married to functionality, longevity and user-driven design. Thus, there is, in our view, more than one good reason for deriving inspi-

ration from the great master when adding colourful colours to our corporate identity. And it is to be hoped that we are not posthumously treading on his toes by harnessing him to our cause in the joyful realisation that his Polychromie has opened our eyes to colours wondrously suited to our own form and content. But never fear: we're not about to start marketing some unprincipled potpourri. Our grey will continue to be the main protagonist – flanked by colour wherever there is a case for this and it suits our cause.