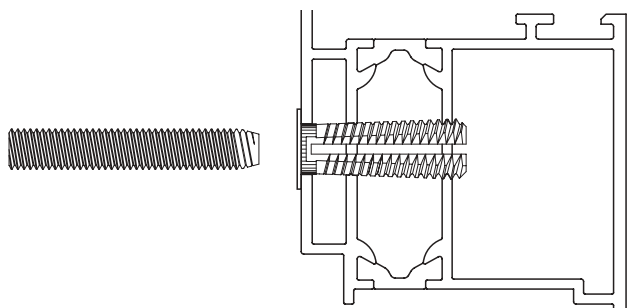


FSB Expansion Plug



FSB's straddling dowel system facilitates practical solutions for single-side concealed fixing of door pulls to timber, aluminium and composite doors whereby it is merely necessary to select the length of dowel to suit a given door thickness or stile design. Plug 20, 34 and 46mm long are available.

What makes FSB's technique so novel is the way it combines an external thread, conical styling and lateral slots to ensure that, once it has been driven in, it straddles to secure the set screw, as the latter is turned, whatever the material or type of stile. Skewing of the plug is prevented by knurling at the top of its shank.



Step 1

Drill holes 10.5 mm in diameter to accommodate the FSB plug (if using a manual drill select a 10mm bit).

Step 2

Once the plug has been driven into the borehole, tighten the set screw, thus causing the dowel's conical surfaces to spread and produce the fixing point for the handle in the stile.



Step 3

The handle is then fastened to these fixing points.